



E BRAKE
by Jacobs®

For Dodge Ram Applications

Parts
Manual

Application Notes

This Cummins E Brake by Jacobs kit, P/N 3804848, has been specifically engineered to fit your '89 - '97 Cummins Turbo Diesel powered Dodge Ram truck without requiring any fabrication or modification. See the notes below for specific application issues.

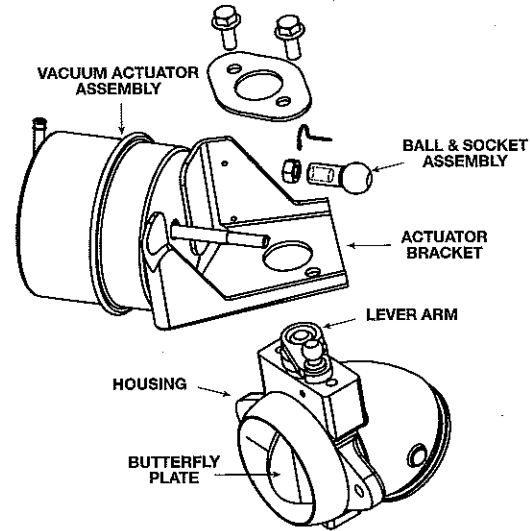
1. **For those vehicles equipped with EGR valves:** The E Brake **cannot** be installed in those vehicles equipped with EGR valves. To check if your truck is equipped with an EGR valve, check the engine CPL number stamped into the Engine Data Plate attached to the the left side of the engine's gear housing. Your vehicle is equipped with an EGR valve if its engine CPL number is 1863.
2. Certain 1995-1996 vehicles were not equipped with a check valve in the vacuum supply system. This check valve is required for proper operation of the E Brake and must be present on your vehicle.

Check your engine serial number (ESN) to determine whether your engine requires installation of this check valve. The ESN can be found on the Engine Data Plate, located on the left side of the gear housing next to the oil fill tube. The ESN is located to the right of the Timing TDC Specification.

If your ESN is between 45232867 through 45360437 or 56230585 through 56293175 your engine may require installation of this check valve. If your ESN falls within this range, or if you have concerns regarding this check valve, please refer to Chrysler Technical Service Bulletin number 24-16-96, available from Chrysler dealers. The Check Valve Package (Chrysler

P/N 4883793AA) is available from Chrysler and includes the check valve, hose, and required connectors. The check valve alone is also available from Cummins distributors (P/N 3931558).

3. If your vehicle is from model year 1989 to 1993, you will need to obtain a Header Kit, P/N 3804854, to complete the installation. See Optional Equipment below.



Optional Equipment - Not included in Kit

Pre-'94 Header Group - (Required for pre-'94 applications) Cummins P/N 3804854

Ill. No.	Cummins P/N	Description	Quan./ Group
NI	3933136	Header pipe (pre-'94)	1
NI	NSS	Capscrew	2

NI = Not Illustrated
NSS = Not Sold Separately

Included Parts and Equipment

RamBrake Assembly Group Cummins P/N 3804849

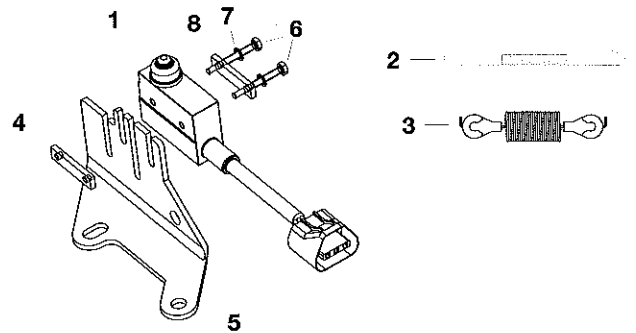
1

Ill. No.	Cummins P/N	Description	Quan./Group
1	3933128	E Brake assembly	1
NI	3929058	Gasket	1

Exhaust Valve Springs (NI), Quantity: 6 Cummins P/N 3916691

Engine Switch Group Cummins P/N 3804851

Ill. No.	Cummins P/N	Description	Quan./Group
1	3933129	Fuel pump switch	1
2	3933130	Throttle spring ('94 - '96)	1
3	3933131	Throttle spring ('97)	1
4	NSS	Clamp	1
5	NSS	Fuel pump switch bracket	1
6	NSS	Screw	2
7	NSS	Lock washer	2
8	NSS	Clamp	1
NI	NSS	Lockwasher	1
NI	NSS	Nut	1
NI	NSS	Bolt	1



Wire Harness Group Cummins P/N 3804853

1

Ill. No.	Cummins P/N	Description	Quan./Group
1	3933134	Wire harness	1
NI	3933135	Time-delay relay	1
NI	NSS	Sheet metal screw	1
NI	NSS	Spade Connectors	2
NI	NSS	Dash switch connector	1

NI = Not Illustrated
NSS = Not Sold Separately

Dash Switch Group Cummins P/N 3804850

Model Years 89-93 (all) and 94-97 with BOTH
Overdrive Automatic Transmission and Fog Lights

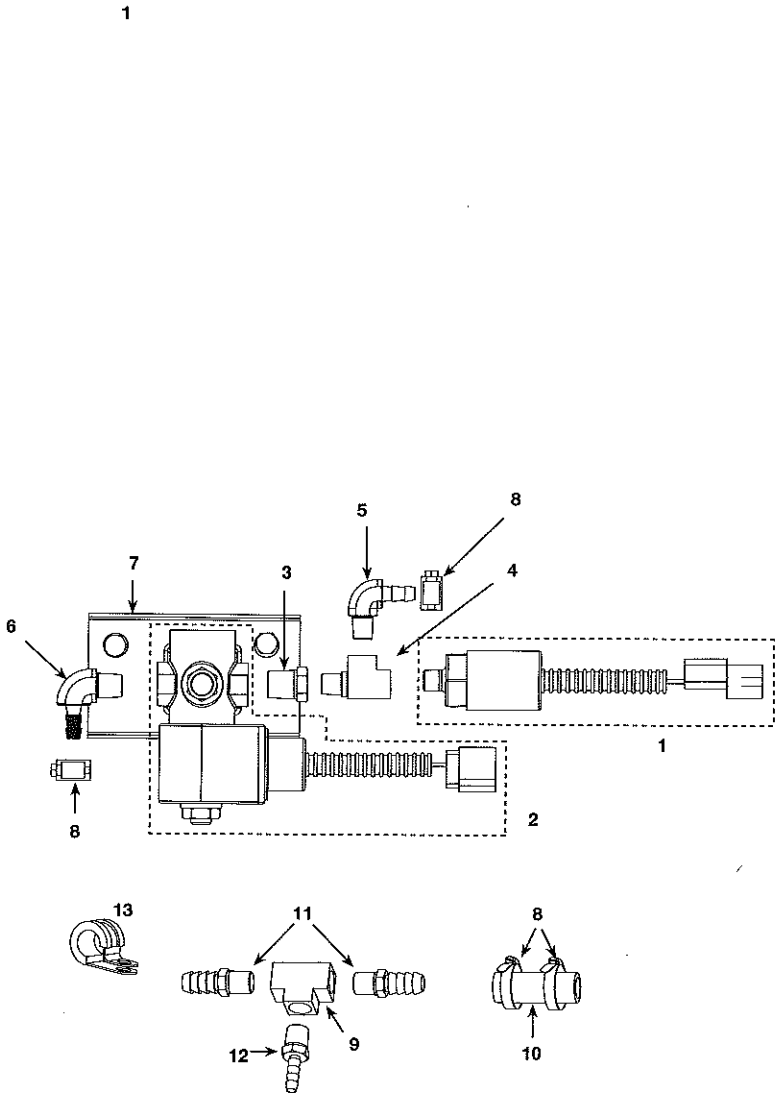
III. No.	Cummins P/N	Description	Quan./ Group
NI	NSS	Toggle switch group	1
NI	NSS	Dash switch	1
NI	NSS	Switch plate	1

Model Years 94-97 that do NOT have both Overdrive
Automatic Transmission and Fog Lights

III. No.	Cummins P/N	Description	Quan./ Group
1	NSS	Dash switch	1
NI	NSS	Switch block	1
NI	NSS	Plug	1

Pneumatic Group Cummins P/N 3804852

III. No.	Cummins P/N	Description	Quan./ Group
1	3933132	Pressure switch	1
2	3933133	Vacuum solenoid	1
3	NSS	Reducer bushing	1
4	NSS	Street tee (brass)	1
5	NSS	90° elbow (1/4" hose to 1/8" NPT)	1
6	NSS	90° elbow (1/4" hose to 1/4" NPT)	1
7	NSS	Mounting plate	1
8	NSS	Hose clamps	6
NI	NSS	Plastic tee	1
NI	NSS	Hose, 1/2" I.D., 30"	1
NI	NSS	Hose, 1/4" I.D., 68"	1
NI	NSS	Machine screw	2
NI	NSS	Lock washer, #8	2
NI	NSS	Well nut	2
NI	NSS	Hex bolt, M6 x 1 x 20	2
NI	NSS	Lock washer, M6	2
NI	NSS	Cable ties	6
9	NSS	T Fitting ('97 vehicles)	1
10	NSS	Hose, 1/2" I.D., 2"	1
11	NSS	Hose Barb Fitting (1/2" hose to 1/4" NPT)	2
12	NSS	Hose Barb Fitting (1/4" hose to 1/4" NPT)	1
13	NSS	P-clip	1
NI	NSS	Lock nut, M6 x 1	1



NI = Not Illustrated
NSS = Not Sold Separately



E BRAKE

by Jacobs®



Cummins Engine Company, Inc.
Box 3005
Columbus, IN 47202-3005
U.S.A.

Bulletin 3698956
Printed in U.S.A. 12/97
©1997 Cummins Engine Company, Inc. and
Jacobs Vehicle Systems, Inc.